



We Manage Heat®

# Automatic Snow/Ice Melting System Controller

## MODEL APS™ -3B SNOW SWITCH®

### BENEFITS

- Automatic snow/ice melting control
- Minimum energy costs

### FEATURES

- Controls mechanically-held contactors
- Remote control/monitor (option)
- NEMA 3R enclosure
- U-L Listed
- Heater cycle push button
- Multiple sensor capability
- Simple installation
- Low cost

### DESCRIPTION

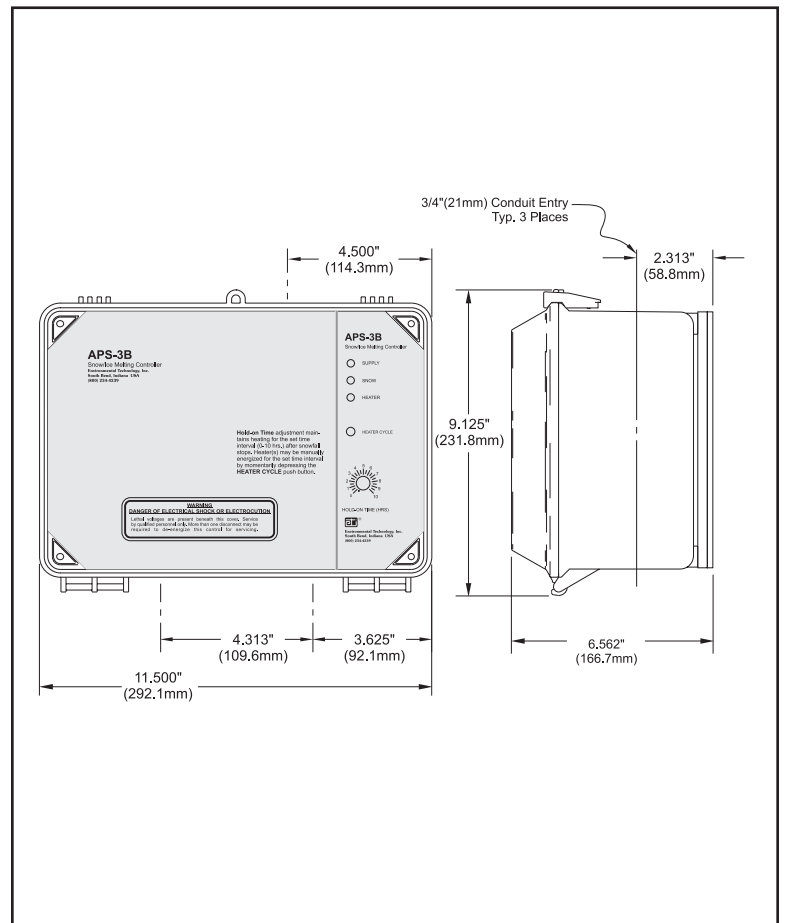
In conjunction with up to six sensors residing in target zones, the microprocessor-based APS-3B provides effective, economical automatic control of snow melting applications for walkways, ramps, driveways, gutters and downspouts.

Operating at either 120 VAC or 208-240 VAC, 50/60 Hz, the APS-3B's DPDT output relay switches 24 amp heater loads or directly operates both mechanically and electrically-held remote contactors.

The adjustable hold-on timer provides up to 10 hours of heater operation after snowfall ceases to complete snow/ice melting. Independent of weather conditions, a manual heater cycle control operates heaters for the hold-on period to clear tracked slush and drifted snow. LEDs provide indication of power, sensor status and heater operation. Remote heater cycle and system indication is provided by the optional RCU-1 Remote Control Unit.

The APS-3B nonmetallic enclosure is suitable for NEMA 1, 2, 3R, 12 and 13 applications over an ambient temperature range of -40° to 136°F (-40° to 58°C).

For economy and ease of installation, sensor and RCU-1 wiring may, each, have an installed length of 2,000' (609.6m) using NEC Class 2 #18 AWG multiconductor jacketed cable.

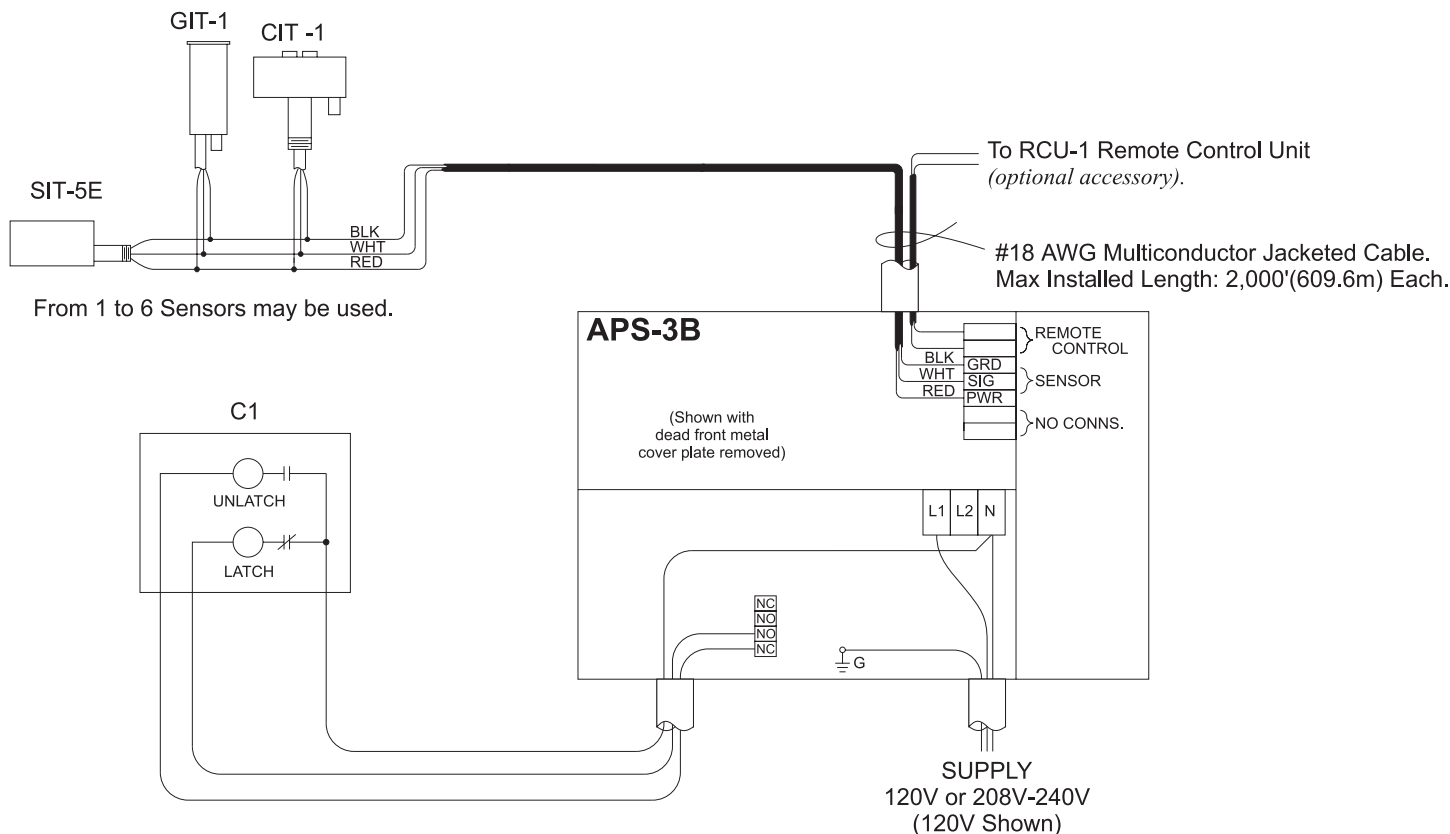


ENVIRONMENTAL TECHNOLOGY, INC.  
1302 HIGH STREET  
SOUTH BEND, IN 46601 USA

continued...

## INSTALLATION

Install in accordance with the requirements of all applicable electrical and building codes and regulations. The APS-3B nonmetallic enclosure is furnished with three  $\frac{3}{4}$ " (21mm) conduit openings; if installed in a hostile environment, ensure that all conduit terminations are watertight.



## ORDERING INFORMATION

### Order Number

17708  
17539  
17542

### Description

APS-3B Control Panel, 120 VAC (U-L Listed)  
APS-3B Control Panel, 208-240 VAC (U-L Listed)  
RCU-1 Remote Control Unit

## LIMITED WARRANTY

ETI's two year limited warranty covering defects in workmanship and materials applies. Contact Customer Service for complete warranty information.

## DISCLAIMER

Environmental Technology, Inc. makes no representations or warranties, either expressed or implied, with respect to the contents of this publication or the products that it describes, **and specifically disclaims any implied warranties of merchantability or fitness for any particular purpose.** Environmental Technology, Inc. reserves the right to revise this publication, and to make changes and improvements to the products described in this publication, without the obligation of Environmental Technology, Inc. to notify any person or organization of such revisions, changes or improvements.



1302 High Steet, South Bend, IN 46601 (574) 233-1202 / Fax (574) 233-2152 / Toll Free (800) 234-4239 / Toll Free Fax (888) 234-4238  
http://www.networketi.com / e-mail: helpdesk@networketi.com

The ETI logo, Snow Switch, Floorstat, Tracon, We Provide Managed Heat, We Manage Heat are registered trademarks of Environmental Technology, Inc. 99+, ADH, APS, CIT, EDH, EUR, ES, FMC, FWT, GIT GPT, HSC, LCD, RCD, RCU, RMC and SIT are Environmental Technology, Inc. trade marks. Copyright © 2000 Environmental Technology, Inc. All rights reserved.

6/2003 18630