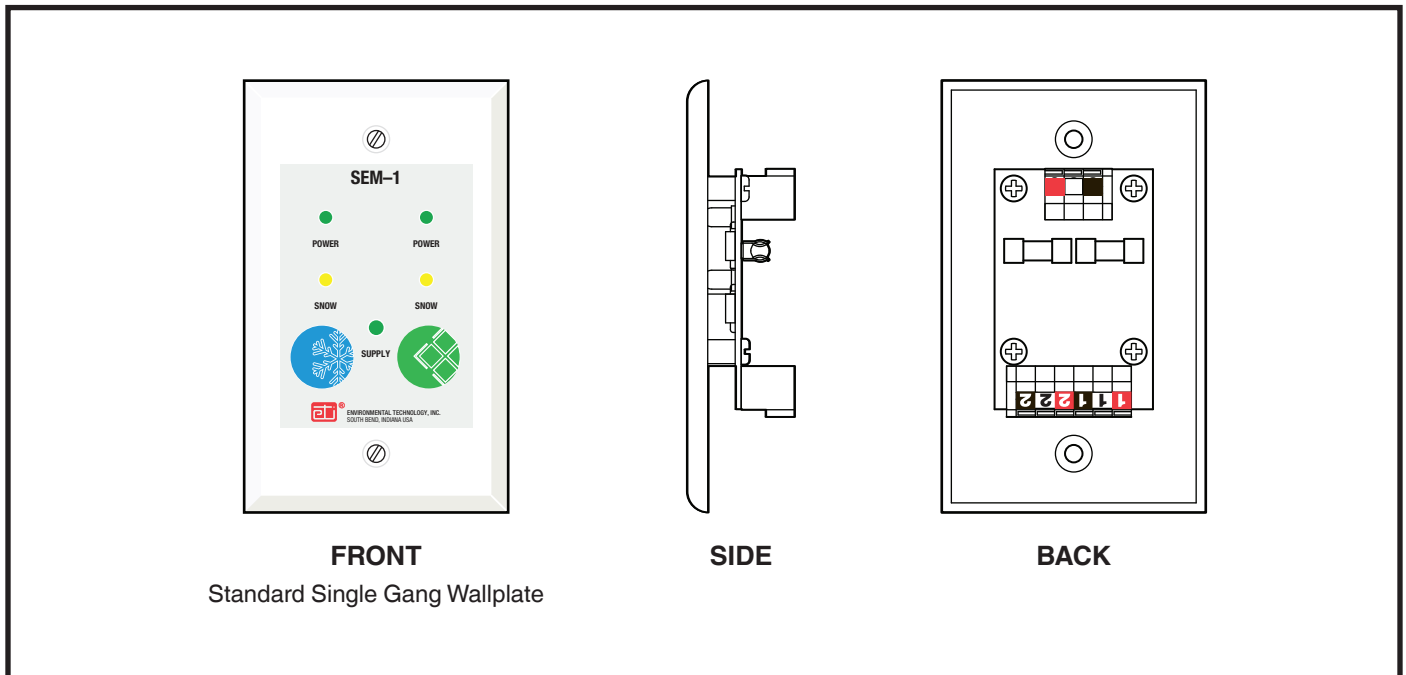


## FEATURES & BENEFITS

- Expands system monitoring and troubleshooting by providing status indicators for each sensor
- Sensor signal manual mode for testing control initiating from each sensor channel
- Used in place of junction boxes promoting best practices in sensor cable wiring
- Sensor ID labels and individual sensor cable runs simplify system troubleshooting
- Two sensor channels per unit, units may be daisy-chained together for additional sensors



## DESCRIPTION

Installed between a snow and ice melting control and connected aerial, gutter, and/or pavement sensors, the Snow Switch brand SEM-1 sensor expansion module provides enhanced monitoring of each sensor used in a snow and ice melting system.

The SEM-1 provides indication that each sensor is energized (power/green LED) and which sensor(s) is signalling a call for heat (snow/yellow LED).

Using a SEM-1 sensor expansion module, a faulty sensor is quickly identified. Troubleshooting and repairs can be made to a damaged sensor while

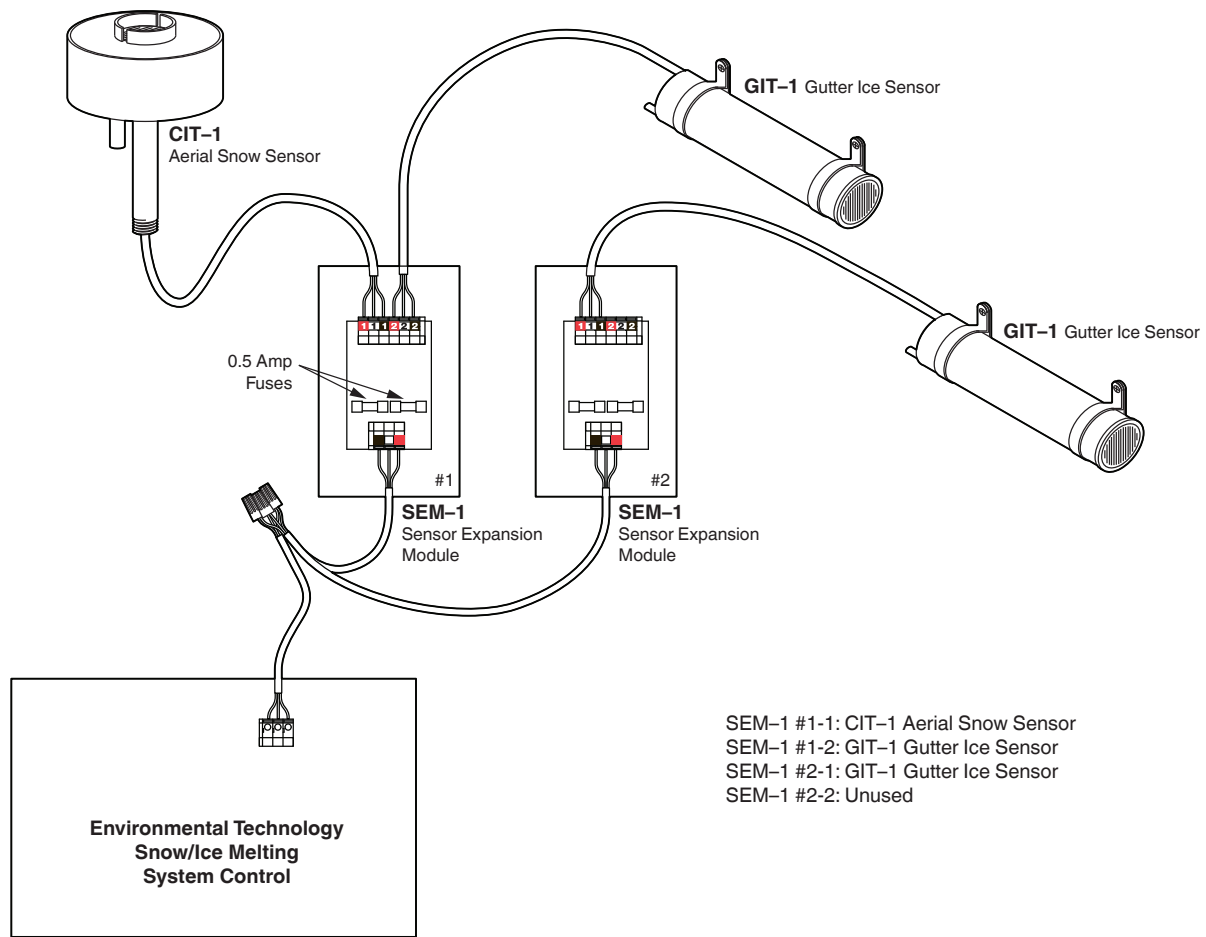
the remainder of the system continues normal operation. By encouraging system installers to run a separate cable between each sensor location and an SEM-1 it is far easier to trace wiring faults than when multiple sensors are parallel connected in one or more junction boxes that are often hard to locate.

The SEM-1 provides a fuse for each sensor, preventing a single bad sensor from disabling an entire snow and ice melting system. An internal, tamper-resistant magnetic switch allows for snow-event simulation.

The unit has space on its front panel for sensor ID stickers, or other custom markings, to quickly identify which SEM-1 sensor channel is paired with which sensor.

For complete information describing applications, installations and features, please contact Customer Service or check on the web at [networketi.com](http://networketi.com).

**Example SEM-1 Installation**



The SEM-1 sensor expansion module operates on 24 VAC supplied from the host control. Refer to control panel instruction manual for maximum number of sensors allowed per control. User-supplied 3 conductor jacketed cable connects the sensor to the control panel. Use #18 AWG for lengths up to 500' (152.4m) or #12 AWG for lengths up to 2,000' (609.6m).

**ORDERING INFORMATION**

Order Number	Description
24991	SEM-1 Sensor Expansion Module

**LIMITED WARRANTY**

ETI's two year limited warranty covering defects in workmanship and materials applies. Contact Customer Service for complete warranty information.

**DISCLAIMER**

Environmental Technology, Inc. makes no representations or warranties, either expressed or implied, with respect to the contents of this publication or the products that it describes, and specifically disclaims any implied warranties of merchantability or fitness for any particular purpose. Environmental Technology, Inc. reserves the right to revise this publication, and to make changes and improvements to the products described in this publication, without the obligation of Environmental Technology, Inc. to notify any person or organization of such revisions, changes or improvements.