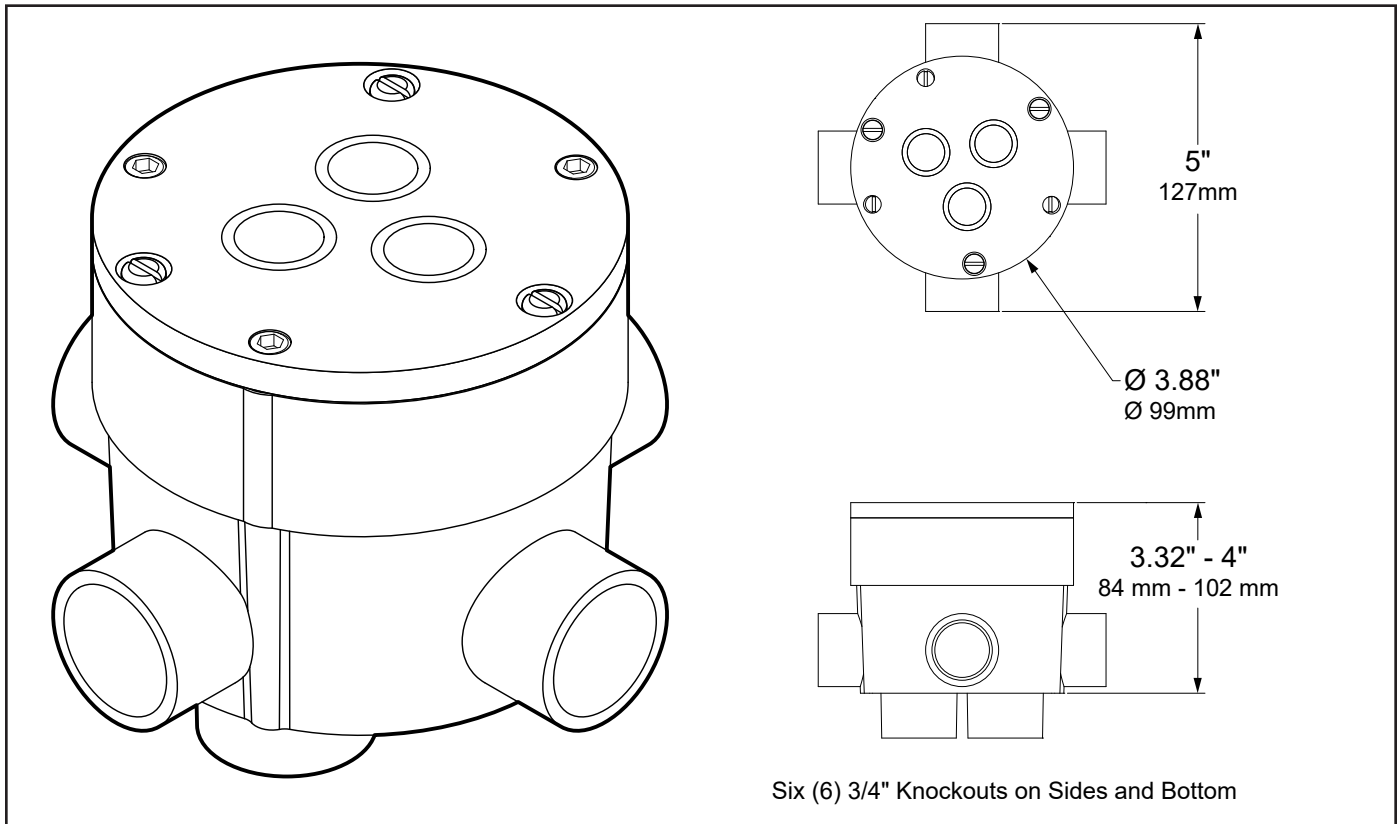


FEATURES & BENEFITS

- Directly senses pavement conditions for reliable, accurate system control
- 24-volt operation for compatibility with a diverse array of electric and hydronic controls and systems
- Self-contained operation does not require additional control panel
- NEC Class 2 circuit for safe operation in wet locations
- Designed and built for long, trouble-free life
- Built-in self-test functions allow quick operational verification



DESCRIPTION

The Snow Switch Model HSC-24, 24-volt Pavement-Mounted Snow and Ice Sensor reliably detects snow and ice conditions on pavement surfaces. The HSC-24 pavement sensor ensures that deicing heaters operate only while needed which minimizes energy costs without sacrificing snow melting effectiveness.

The HSC-24 is designed to be self-contained eliminating the need for an additional control panel, and it's independent relay-contact output is compatible with most heater control systems.

As part of a snow melting system, the HSC-24 sensor will signal for snow and ice melting at pavement temperatures below 38°F (3.3°C) while moisture in any form—including water, snow, sleet or ice—is present.

It's important for the sensor to be level with the pavement surrounding it. A Pavement Sensor Housing, ETI part number 23832 (sold separately), is needed for each pavement sensor. This housing supports the sensor within the pavement and includes adjustment screws that allow proper leveling with the pavement surface.

For best results, consider using the HSC-24 pavement sensor in conjunction with an LCD-8 aerial snow sensor. Including an LCD-8 sensor will allow the snow/ice melting system to energize as soon as falling precipitation (e.g., snow or freezing rain) is detectable.

The HSC-24 is an exceptionally capable pavement sensor. For complete information describing its application, installation, and features, please contact Customer Service or check on the web at networketi.com.

SPECIFICATIONS

General

Area of Use	Pavement
Activation Temperature	38° F (3.3° C)
Hold-on Time	User configurable to 0 h, 1 h, 2 h, 3 h, 4 h, 5 h, or 6 h
Default Hold-On Time	0 h Up to 3 minutes after snow/ice/water no longer detected or 5 minutes after temperature rises above sense range.
Materials	Brass with Epoxy and Polyurethane Fill
Weight	0.5 kg (1.1 lb)
Dimensions	Top Diameter: 9.84 cm (3.875 in) Top Thickness: 6.35 mm (0.25 in) Mounting Depth: 5 cm (2 in)

Electrical

Circuit type	NEC Class 2
Supply voltage	24 Vac +/- 15%
Supply Current	5 mA idle, 0.25 A max.
Operating Power	6 W max.
Snow/Ice Sense Response Time	10 to 20 seconds
Output Signal	Voltage drop
Output Off	Relay Open
Output On (snow/ice present)	Relay Closed
Contact Rating	220 Vdc / 250 Vac / 2 A / 60 W / 62 VA max.
Bus-wire type	Direct Burial 3-Conductor 18 AWG
Lead Length	60 ft (18.3 m) included; may be extended: <ul style="list-style-type: none"> • Up to 500' (152m) using 18 AWG 3-wire jacketed cable • Up to 2,000' (609m) using 12 AWG 3-wire jacketed cable
Self Test Mode	Checks temperature, heater, and sensor grid. Indicates results with output and current pulses (see manual).
Cable Length	18.3 m (60 ft)
Cable Type	HSC-24: Direct Burial 4-Conductor 18 AWG
Compatible Controllers	APS , EUR, PD Pro, and GF Pro controllers, and other systems which can utilize contact-closure signaling and provide 24 Vac power.

Environmental

Operating Temperature Range	-40 °C to 70 °C (-40 °F to 158 °F)
Snow/Ice Sense Temperature Range	-30 °C to 3 °C (-22 °F to 38 °F)
Storage temperature	-50°F to 180°F (-45°C to 82°C)

ORDERING INFORMATION

Order Number	Description
25125	HSC-24 Pavement-Mounted Sensor (requires 23832 Pavement Sensor Housing)
23832	Pavement Sensor Housing

LIMITED WARRANTY

Environmental Technology provides a two-year limited warranty that covers any defects in workmanship or materials. Contact Customer Service for complete warranty information.

DISCLAIMER

Environmental Technology, Inc. makes no representations or warranties, either expressed or implied, with respect to the contents of this publication or the products that it describes, and specifically disclaims any implied warranties of merchantability or fitness for any particular purpose. Environmental Technology, Inc. reserves the right to revise this publication, and to make changes and improvements to the products described in this publication, without the obligation of Environmental Technology, Inc. to notify any person or organization of such revisions, changes or improvements.